

Wallboard Mounting

Tools Needed

- Medium Phillips head screwdriver



Directions

Install the wallboard using the separate *Diagnostix Adstation Installation Instructions* provided. When you get to “Assemble and Mount Blood Pressure” section, follow the steps below.

1. Unbox the clock aneroid and basket assembly.
2. Position the assembly over the two screws on the left side of the wallboard, then guide the screw heads into the keyhole openings on the back.
3. Slide the assembly down to lock into place.
4. Continue to the “Installing EENT Instruments” section on the Adstation Installations Instructions.

Wall Mounting

Included hardware

- Two screws
- Two screw anchors

Tools Needed

- Medium Phillips head screwdriver
- Hammer
- Drill with 3/16” bit

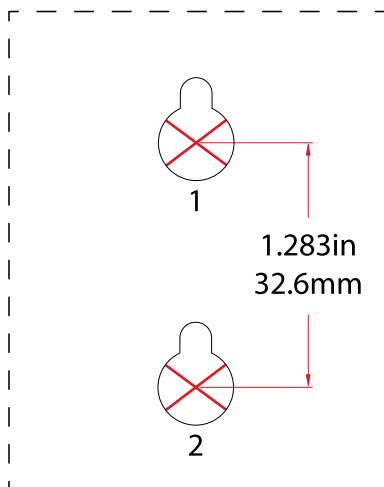


Directions

1. Unbox the clock aneroid and basket assembly and determine the desired location and height.
2. Cut out the screw template (below) and position at the midpoint of the selected location. Use a pencil to mark the two screw holes.
3. At each pencil mark, drill a 3/16" hole approximately 7/8" deep. Use a masonry type bit if drilling through ceramic tile.
4. Using the hammer, gently tap the screw anchors into the holes until they are flush with the wall.
5. Screw included screws directly into anchors, leaving about 1/8" overhang.
6. Position the clock assembly over the screws, then guide the screw heads into the keyhole openings on the back.
7. Slide the assembly down to lock into place.

Note: If the mounting hardware supplied is not suitable for your installation, select hardware of adequate size and type to secure the instrument firmly to the wall.

Wall mount screw template



ASSEMBLY INSTRUCTIONS

Diagnostix Clock Aneroids

Wall (750W) and Mobile (752M)



To register your product visit us at
www.adctoday.com/register

FOR QUESTIONS, COMMENTS,
OR SUGGESTIONS CALL TOLL FREE:

1-800-ADC-2670

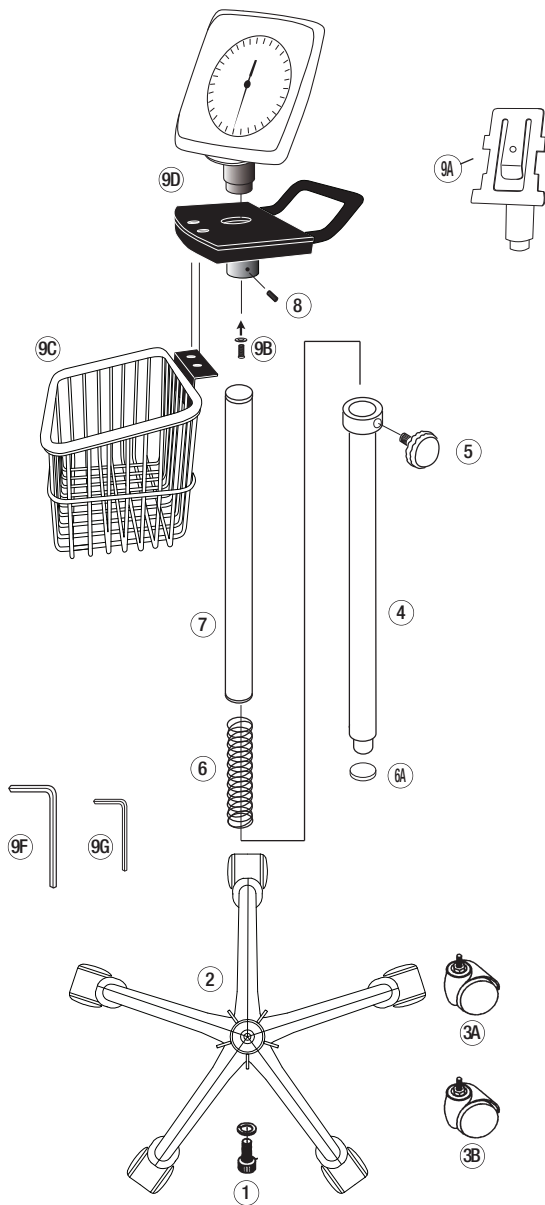
OR VISIT

www.adctoday.com/feedback



55 Commerce Drive
Hauppauge, NY 11788
Customer Service: 1-800-ADC-2670
Voice: 1-631-273-9600
Fax: 1-631-273-9659
email: info@adctoday.com
<http://www.adctoday.com>

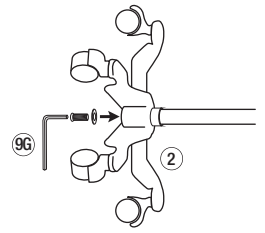
Mobile Stand Assembly



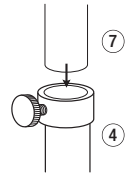
Parts List

Ref #	Item #	Description
1	972-101	Long 6 mm Hex Screw and Washer
2	972-080	Base
3A	972-106-1	Single Caster (3)
3B	972-106L-1	Single Locking Caster (2)
4	972-107W	Outer Pole, Winter White
5	972-108	Knob
6	972-109	Spring
6A	972-107A	Gasket
7	972-110	Inner Pole
8	972-111	Tightening Device
9A	752-113N	Manometer Bracket
9B	752-114	Short 6 mm Hex Screw and Washer
9C	752-119W	Cuff Storage Basket, Winter White
9D	752-117W	Platform, Winter White
9E	752-118W	3 mm Hex Screw (2), Silver
9F	752M-116	Large 6 mm Hex Key
9G	752M-117	Small 3 mm Hex Key

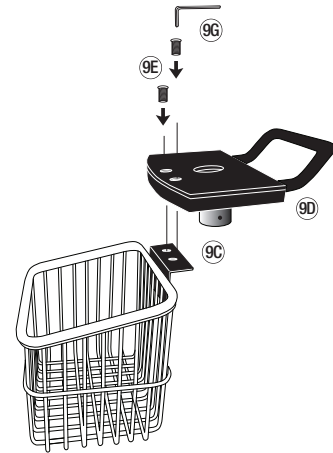
1. With base on its side connect upright outer pole to base using the long 6 mm hex screw and washer. Tighten with the large hex key provided. Tighten hardware as securely as possible. (To prevent loosening, periodically check that hardware remains securely tightened.) Reposition base upright.



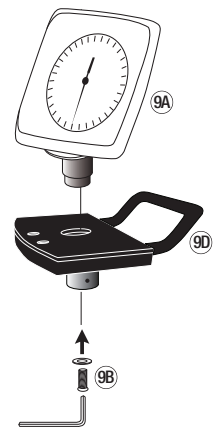
2. Slide stainless steel inner pole inside outer pole with open end up. Make sure shock absorbing spring is inside the outer pole and tighten.



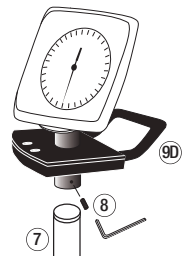
3. Attach metal basket to platform using two 3 mm hex screws. Tighten with small hex key provided.



4. Attach manometer bracket (with attached manometer) to platform using short 6 mm hex screw and washer. Tighten with large hex key.



5. Place assembly consisting of manometer, cuff storage basket and platform on top of stainless steel inner pole, making sure the pole goes completely inside collar. Use tightening device and small hex key as shown.



6. Connect coiled tubing to gauge inlet. (Note: The coiled tubing may be difficult to connect; moisten with soapy water if necessary.) Refer to booklet titled Diagnostix Aneroids: Pocket, Palm, Clock Type (9350N-00) for instructions on operating the unit.