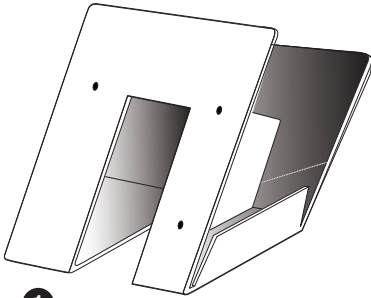


Assembly Instructions for the

*e-sphyg³*TM

Desk Caddy Assembly

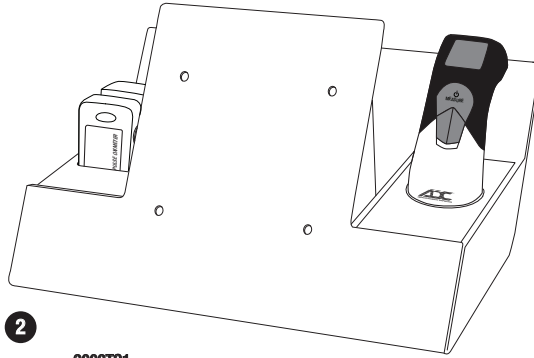
Your package will include one of three desk caddy styles and all required hardware.



1

9003D

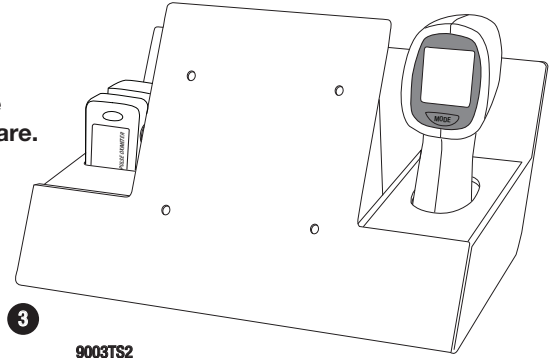
Desk Caddy Assembly for 9003D



2

9003TS1

Desk Caddy Assembly for 9003
with 2200 & 429 Inserts



3

9003TS2

Desk Caddy Assembly for 9003
with 2200 & 433 Inserts



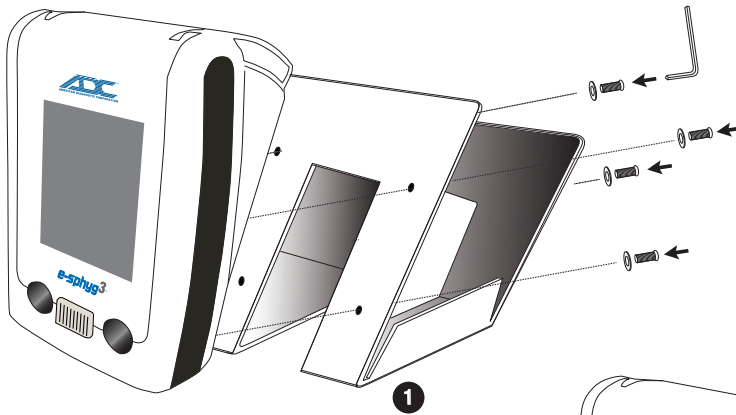
4

9005M-HW-00

Short 2 mm Hex Screws,
(4) Washers & Hex Key

Parts List for Desk Caddy Assemblies for the 9003D, 9003ST1, and 9003ST2

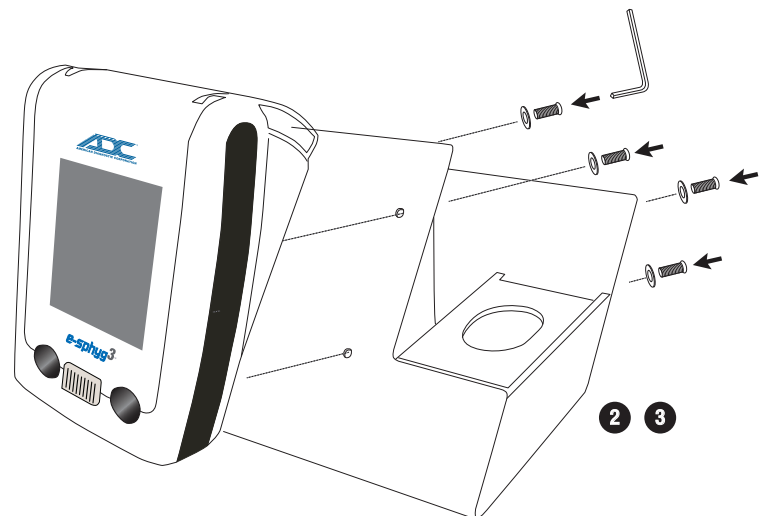
Ref #	Item #	Description
1	9003D	Desk Caddy Assembly for 9003D
2	9003TS1	Desk Caddy Assembly for 9003, 2200 & 429 Inserts
3	9003TS2	Desk Caddy Assembly for 9003, 2200 & 433 Inserts
4	9005M-HW-00	Short 2 mm Hex Screws and Washers (4) & Hex Key



1

To attach your e-sphyg 3 to the caddy:

1. Align the holes on the rear side of the e-sphyg³ with the four holes on the Desk Caddy as shown.
2. Insert the four hex mounting screws and washers through the back of the Desk Caddy into the unit and tighten.



2

3



55 Commerce Dr.
Hauppauge, NY 11788
U.S.A.

tel: 631-273-9600
toll free: 1-800-232-2670
fax: 631-273-9659
www.adctoday.com
info@adctoday.com