

Wallboard Installation Instructions



Adstation with
Clock Aneroid



Adstation with
e-sphyg 3



Adstation with
Advview 2

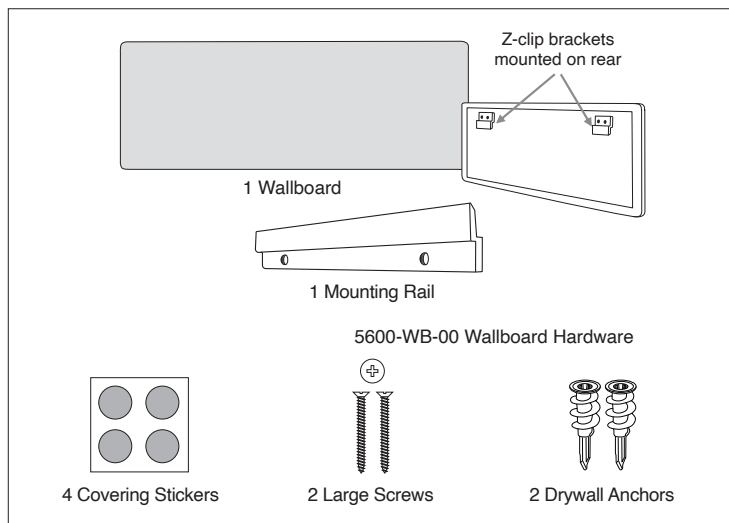
Getting Started

Our Adstation wallboard uses an easy-to-hang Z-clip system that consists of a mounting rail, which you will install on the wall, and two hanging brackets, which come attached to the wallboard. All screws and anchors are included, either in the accessory pack or pre-installed on the wallboard.

The wallboard ships with some elements already installed, like the EENT transformer, extension modules, and the specula dispenser, depending on the configuration you purchased.

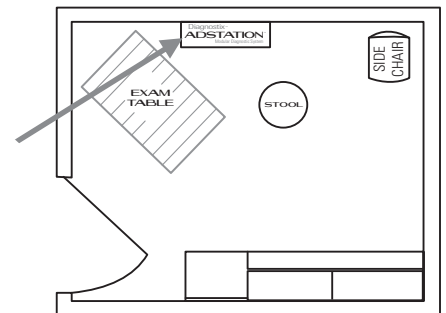
If your Adstation includes a clock aneroid, that will also be pre-installed. If you ordered an Advview 2 or e-sphyg 3 monitor, some additional assembly and mounting will be required, as noted below.

WARNING: ADC is not responsible for the integrity of any mounting installation. We recommend following mounting instructions and working with your maintenance service to ensure professional, safe, and reliable installation.



Choose a Location

Choose a location for your ADC Diagnostix Adstation near the examination table and an electrical outlet.



Prepare the EENT Instruments

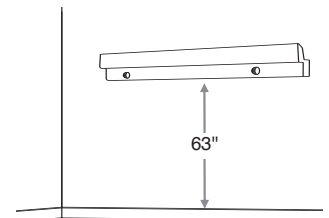
Unpack the EENT instrument handles and heads and assemble. Slide each handle into position on its corresponding cradles.

Mount the Rail Bracket

We recommend an installation height of 63" (160 cm) from the floor to the bottom of the rail bracket. This placement keeps instruments accessible and provides for easy readability of blood pressure (if included) regardless of the height of the user.

NOTE: Before permanently mounting any wallboard, please ensure the height suits your practice.

1. Locate the studs and mark at the suggested 63" (160 cm) distance from the floor.
2. Place the bottom of the rail along these marks, check that it is level, and secure to studs with the two wood screws provided. (If studs are not available, install the plastic anchors in the drywall before attaching the rail with the screws.)



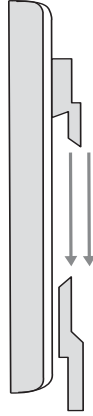
NOTE: The ridged side of the rail faces the wall. This creates the channel on which the wallboard will hang.

Hang the Wallboard

Position the wallboard so the hanging brackets are slightly above the top of the mounting rail.

Slide the wallboard down until both brackets on the board fully engage the channel on the mounting rail.

You're now ready to assemble the instruments for your Adstation



Attaching the Optional Thermometer

If you ordered a non-contact thermometer, an acrylic cradle will be pre-mounted on the right side of the wallboard. Unpack the thermometer and slide it into the cradle as shown.



Assemble and Mount an Advview 2 or e-sphyg 3

Instructions for adding a digital blood pressure unit differ by model. Please see the "Wallboard Assembly and Mounting" section of the separate insert that's been included for your configuration.



55 Commerce Drive
Hauppauge, NY 11788
tel: 1-800-232-2670 • fax: 631-273-9659
93-5600-00 REV 5 (05/01/2026)