

DIAGNOSTIX™ 750W



WALL MOUNTING INSTRUCTIONS

To Register Your Product, visit us at www.adctoday.com
and follow the links

55 Commerce Drive
Hauppauge, NY 11788

Customer Service: 1-800-ADC-2670

Voice: 1-631-273-9600

Fax: 1-631-273-9659

email: info@adctoday.com

<http://www.adctoday.com>

NEW YORK • LONDON • TOKYO

©2005 ADC

IB p/n 9352A-00 rev 2



DIRECTIONS FOR WALL MOUNTING DIAGNOSTIX™ 750W

Tools Needed

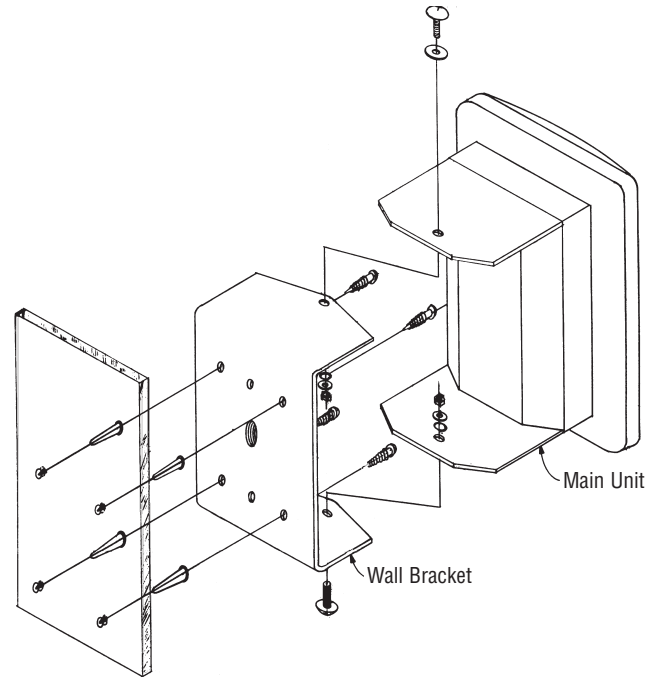
- Medium slotted screwdriver
- Hammer
- Drill with 3/16" drill bit

Directions

1. Position manometer (with attached wall bracket) on wall at desired location and rotate gauge to right side to permit access to left side mounting holes on bracket. Make pencil marks on wall through the mounting holes. Holding bracket firmly in place, rotate gauge to left side to permit access to right side mounting holes. Make pencil marks on wall through the mounting holes. Recommended height is near the eye level of the intended users.
2. At each of the four pencil marks, drill a 3/16" hole approximately 7/8" deep. Use a masonry type bit if drilling through ceramic tile.
3. Gently tap the 4 screw anchors into the holes until they are flush with the wall.
4. Position the manometer and bracket over the screw holes and screw bracket into wall first on one side, then the other using the procedure outlined in step one to gain access to each of the four mounting holes. Take care not to over tighten screws.
5. Attach 8 foot length of coiled tubing to air inlet at bottom of gauge. Insert "male" luer connector on free end of coiled tubing to "female" luer connector on bladder tubing. Wrap cuff around bulb and store in mounting bracket/storage compartment behind gauge.

Note: *If the mounting hardware supplied is not suitable for the application, select hardware of adequate size and type to secure the instrument firmly to the wall.*

Important: *The instrument is designed to permit wall mounting without having to first remove the bracket from the instrument. If the instrument is removed from the bracket for mounting or service, we recommend applying removable locktite to the bracket hardware to prevent the instrument from working loose. Locktite can be obtained from most hardware stores.*



CAUTION: Ensure that the unit is securely mounted prior to use to avoid damage to the instrument and/or potential injury.